

# CA 1010 Fast response gas and air thermocouple

## Protection tube

<b>Construction</b>	Open-end perforated tube
<b>Material</b>	SS 316 - (Wst 1.4401)
<b>Insertion length</b>	Customer to specify
<b>Process connection</b>	M20x1.5, 1/2"BSP (G1/2"), 1/2"NPT or other threads possible
<b>Extension length</b>	Customer to specify

## Connection head

<b>Material</b>	Aluminium, plastic or stainless steel
<b>Cable entry</b>	M20x1.5 cable gland standard, other threads possible

## Measuring insert

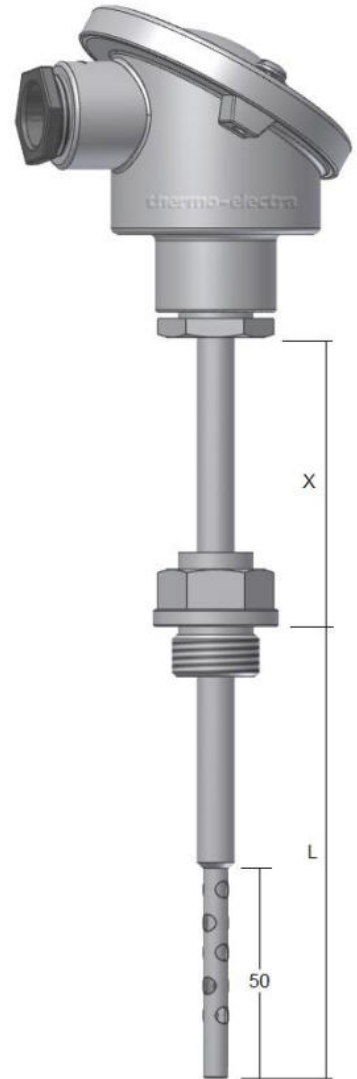
<b>Construction</b>	Fixed
<b>Tip</b>	Reduced and perforated
<b>Stem diameter</b>	9.0mm standard, other diameters possible
<b>Tip diameter</b>	6.0mm standard, other diameters possible
<b>Material</b>	SS 316 - (Wst 1.4401)

## Thermocouple

<b>Calibration</b>	K, T, J, E, N, U or L
<b>For duplex</b>	KK, TT, JJ, EE, NN, UU or LL
<b>Accuracy</b>	According IEC 60584

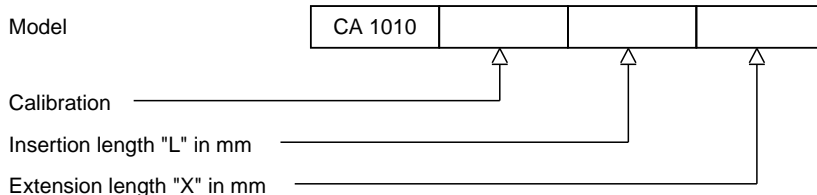
## Options

<b>Transmitter 4-20mA</b>	In-Head transmitter, standard or Ex version. Please select from our standard range or specify your own standard
<b>Swing-Cover head</b>	DAN, transmitter direct mounted on measuring insert
<b>High Swing-Cover head</b>	DAN-H, transmitter in cover, insert with ceramic block



## Ordering code

\*This datasheet is purely indicative, build-up of model code may vary from this datasheet.



H1-1 Rev.0 7/07