

# MI 2038 Fixed insertion resistance thermometer

## Sheath

<b>Construction</b>	Mineral insulated
<b>Material</b>	SS 316 - (Wst 1.4401) standard, other materials possible
<b>Insertion length</b>	Customer to specify
<b>Process connection</b>	M20x1.5, 1/2"BSP (G1/2"), 1/2"NPT or other threads possible

## Style / Connection

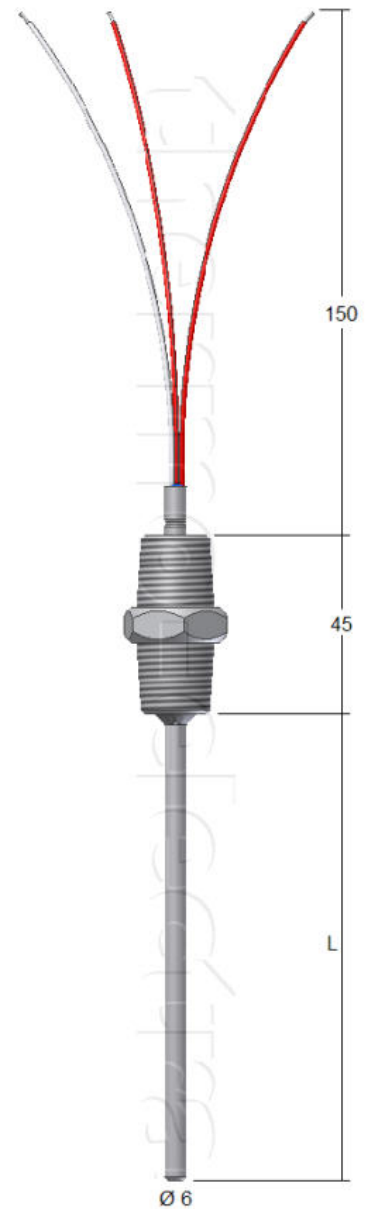
<b>Mechanical</b>	For M20x1.5, 1/2"BSP (G1/2"), 1/2"NPT or other threads possible
<b>Electrical</b>	Insulated PTFE wires 180°C, 150mm
<b>Construction</b>	fixed insertion

## Sensor

<b>Detector</b>	Single or Duplex Pt100
<b>Accuracy</b>	According IEC 60751 class B
<b>Style / Connection</b>	3-wire system standard, 4-wire system optional
<b>Range</b>	-220 / + 600°C
<b>Insulation material</b>	Mineral insulated (MgO)
<b>Testing</b>	Tested 200 Volt @ 20 °C
<b>Insulation resistance</b>	Minimum 100Mohm

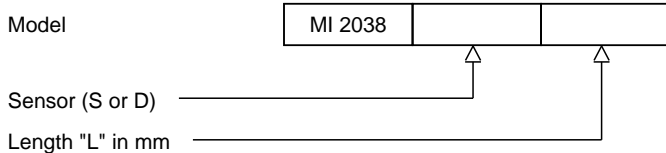
## Options

<b>Accuracy</b>	Class A, 1/2, 1/3, 1/5 or 1/10 DIN 43760
<b>Style / Connection</b>	2-wire or 4-wire 2-wire with compensationloop Customer to specify separately



## Ordering code

\*This datasheet is purely indicative, build-up of model code may vary from this datasheet.



H2-1 Rev.0 7/07