

# LEX15 Ex e certified thermocouple with connectionhead for zone 1 and 2

## Construction

<b>ATEC execution</b>	II 2 G Ex eb IIC T6...T1 Gb
<b>ATEX certificate</b>	DEKRA 17ATEX0123 X
<b>IECEX execution</b>	Ex eb IIC T6...T1 Gb
<b>IECEX certificate</b>	IECEX DEK 17.0046X
<b>Suitable for zone</b>	1 and 2
<b>Ingress protection</b>	IP65 / IEC529
<b>Ambient temp. range</b>	-45°C...+80°C, this can be limited depending on the materials applied such as cable, connection head or junction box.

## Connection head

<b>Model</b>	DAN-AK (showed)
<b>Material</b>	Aluminium, plastic or stainless steel
<b>Cable entry</b>	M20x1.5 standard, other threads possible

## Measuring insert

<b>Construction</b>	Springloaded and replaceable
<b>Springaction</b>	>10mm standard, >40mm optional
<b>Diameter</b>	6.0mm standard, other dimensions possible
<b>Type</b>	Mineral insulated (MgO)

## Thermocouple

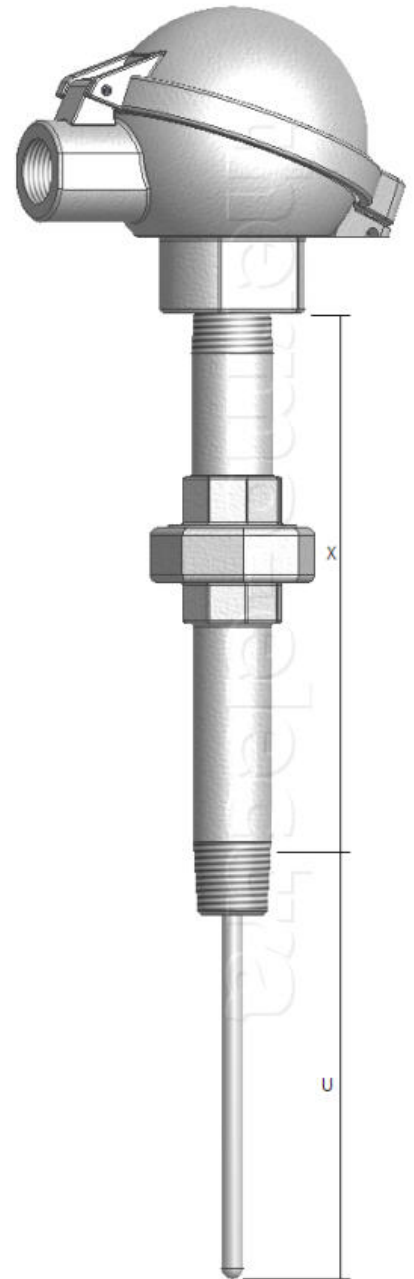
<b>Calibration</b>	K, T, J, E, N, R, S, B, U or L
<b>For duplex</b>	KK, TT, JJ, EE, NN, RR, SS, BB, UU or LL
<b>Accuracy</b>	According IEC 60584-1

## Extension

<b>Type</b>	Nipple - union - nipple standard, other constructions possible
<b>Material</b>	Stainless Steel
<b>Style / Connection</b>	1/2"NPT standard, other threads possible
<b>Length</b>	150mm standard, other lengths possible

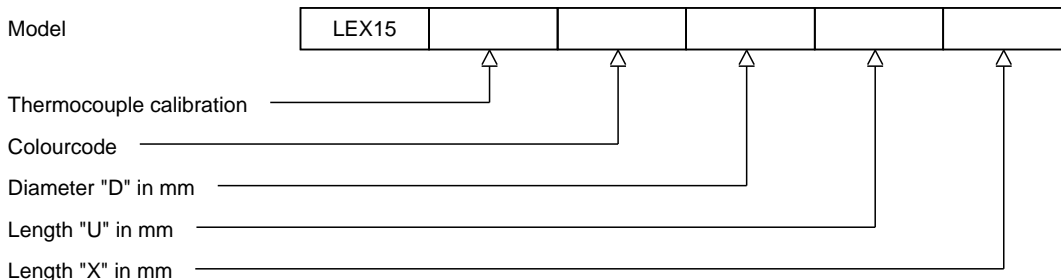
## Datasheet notification

This datasheet is purely indicative, build-up of model code may vary from this datasheet depending on chosen model or execution!



## Ordering code

\*This datasheet is purely indicative, build-up of model code may vary from this datasheet.



H3-1 Rev.0 7/07