

LEX15 Ex e certified resistance thermometer with connectionhead for zone 1 and 2

Construction

ATEX execution	II 2 G Ex eb IIC T6...T1 Gb
ATEX certificate	DEKRA 17ATEX0123 X
IECEX execution	Ex eb IIC T6...T1 Gb
IECEX certificate	IECEX DEK 17.0046X
Suitable for zone	1 and 2
Ingress protection	IP65 / IEC529
Ambient temp. range	-45°C...+80°C, this can be limited depending on the materials applied such as cable, connection head or junction box.

Connection head

Model	DAN-AK (showed), other Ex e certified heads possible
Material	Aluminium, plastic or stainless steel
Cable entry	M20x1.5 standard, other threads possible

Measuring insert

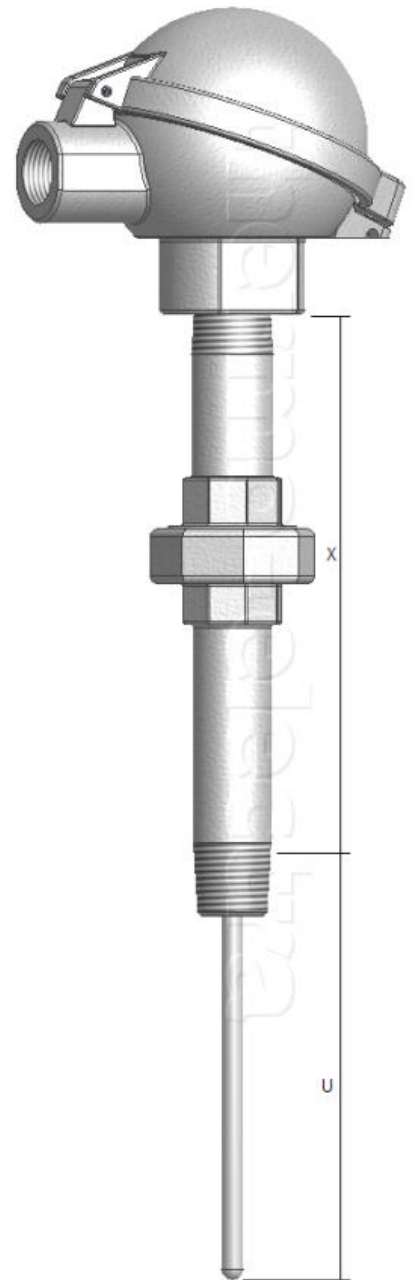
Construction	Springloaded and replaceable
Spring action	>10mm standard, >40mm optional
Diameter	6.0mm standard, other diameters possible
Type	Mineral insulated (MgO)

Sensor

Execution	Single or Duplex Pt100
Connection	3-wire standard, 4-wire optional
Accuracy	According IEC 60751 Cl. B, A or AA
Measuring range	-20°C...+400°C standard, -220°C...+600°C optional

Extension

Type	Nipple - Union -nipple standard, other constructions possible
Material	Stainless steel
Style / Connection	1/2"NPT standard, other threads possible
Length	150mm standard, other lengths possible



Ordering code

*This datasheet is purely indicative, build-up of model code may vary from this datasheet.

Model	LEX15						
Sensor S or D							
Connection 3- or 4-wire							
Class B, A or AA							
Diameter "D" in mm							
Length "U" in mm							
Length "X" in mm							

H3-1 Rev.0 7/07