

# HT 4030 High temperature thermocouple up to 1450°C

## Protection tube

<b>Construction</b>	Gastight ceramic tube
<b>Insertion length</b>	Customer to specify
<b>Diameter</b>	10x2.0mm standard, other diameters possible
<b>Material</b>	Ceramic 610 (C610)
<b>Temperature</b>	1450°C maximum
<b>Process connection</b>	Sliding flange model MFA-A (showed), other executions possible for example a welded ANSI or DIN flange

## Connection head

<b>Material</b>	Aluminium or stainless steel
<b>Cable entry</b>	M20x1.5 standard, other threads possible

## Extension

<b>Material</b>	Steel or Stainless Steel
<b>Length</b>	80mm standard, other lengths possible
<b>Diameter</b>	15mm standard, other diameters possible

## Measuring insert

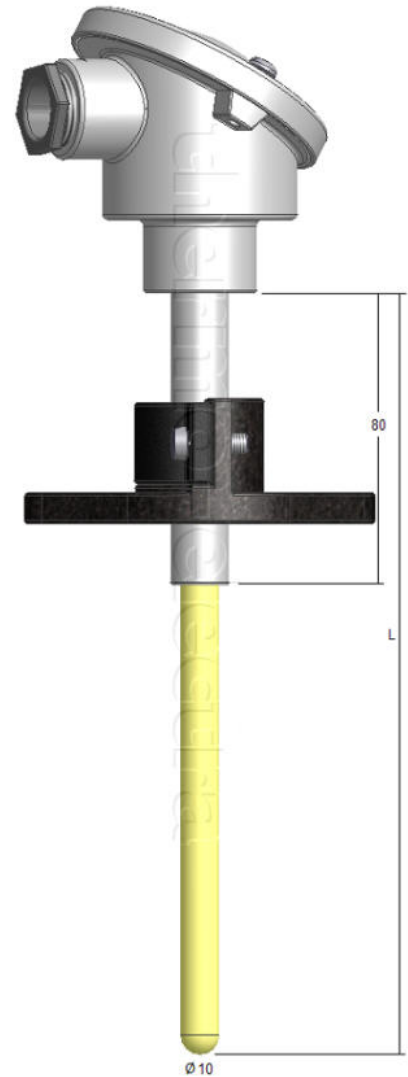
<b>Interchangeable</b>	Yes
<b>Insulation</b>	Ceramic
<b>Shape</b>	Insulation rod, 2 or 4 holes

## Thermocouple

<b>Calibration</b>	B, R or S
<b>For duplex</b>	BB, RR or SS
<b>Wire size</b>	0.35mm or 0.5mm
<b>Accuracy</b>	According IEC 60584-1

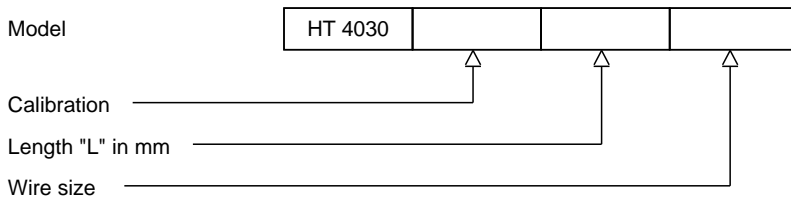
## Options

<b>Transmitter 4-20 mA</b>	In-Head transmitter, standard or Ex version. Please select from our standard range or specify your own standard
<b>Swing-Cover head</b>	DAN, transmitter direct mounted on measuring insert
<b>High Swing-Cover head</b>	DAN-H, transmitter in cover, insert with ceramic block



## Ordering code

\*This datasheet is purely indicative, build-up of model code may vary from this datasheet.



H4-1 Rev. 07/07