

HT 4060 High temperature thermocouple up to 1800°C

Protection tube

Construction	Gastight ceramic
Insertion length	Customer to specify
Diameter	24x3.0mm
Material	Gastight Ceramic 710 (C799) 99.7% Aluminium oxide
Temperature	1800°C maximum (0.5mm wires type B) 1600°C maximum (0.35mm type B wires or 0.5mm wires type R/S) 1350°C maximum (0.35mm wires type R and S)
Process connection	Sliding flange model MFA-C (showed), other executions possible for example a welded ANSI or DIN flange

Inner tube (optional)

Material	Gastight ceramic 710 (C799) or Sapphire
-----------------	---

Connection head

Model	Type A (showed), other connectionheads possible
Material	Aluminium or Stainless Steel
Cable entry	M20x1.5 standard, other threads possible

Head extention

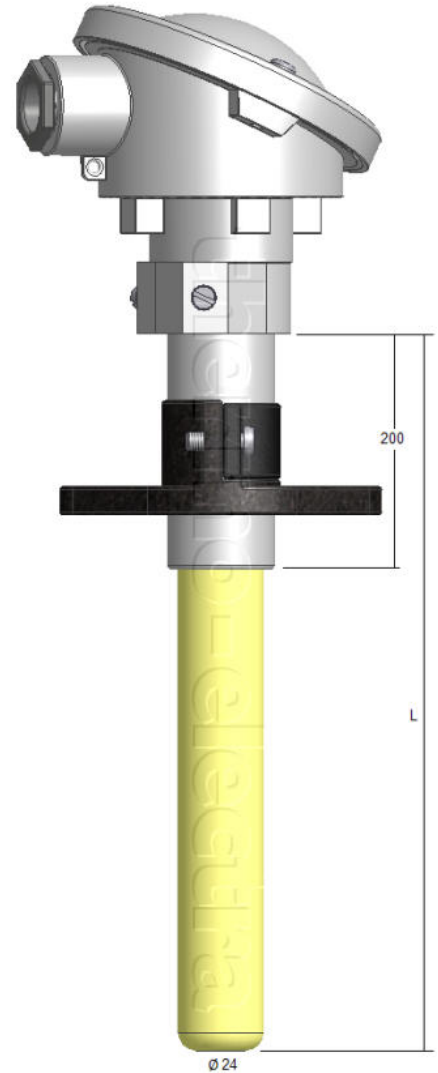
Material	Steel standard, other materials possible
Diameter	32mm standard, other diameters possible
Length	200mm standard, other lengths possible

Measuring insert

Insulation	Ceramic insulation rod
Calibration	B, R or S
For duplex	BB, RR or SS
Wire size	0.35mm or 0.5mm
Accuracy	According to IEC 60584-1

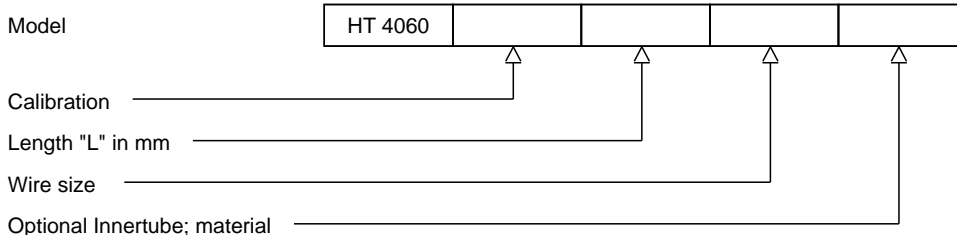
Options

Swing-Cover head	DAN, transmitter direct mounted on measuring insert
High Swing-Cover head	DAN-H, transmitter in cover, insert with ceramic block



Ordering code

*This datasheet is purely indicative, build-up of model code may vary from this datasheet.



H4-1 Rev. 07/07