

DWR 6070 Öl- und Wassertemperatur-Widerstandsthermometer

Design

Designed for use on ships

Type Approval

LLoyds Register Marine

Category

LV2000 range

Protection tube

Drilled barstock

Material

SS 316 - (Wst 1.4401) standard, other materials possible

Insertion length

50mm standard, other lengths possible

Diameter

11mm standard, other diameters possible

Process connection

1/2" NPT, 3/4" NPT, 1/2" BSP or M20x1.5

Cable

Silicone insulated flexible copper wire with silicon outer jacket 240 °C

Cable length

1000mm standard, other lengths possible

Sensor

Single or Duplex Pt100

Accuracy

According IEC 60751 class B

Style / Connection

3-wire system standard, 4-wire system optional

Range

-50 / +250°C

Testing

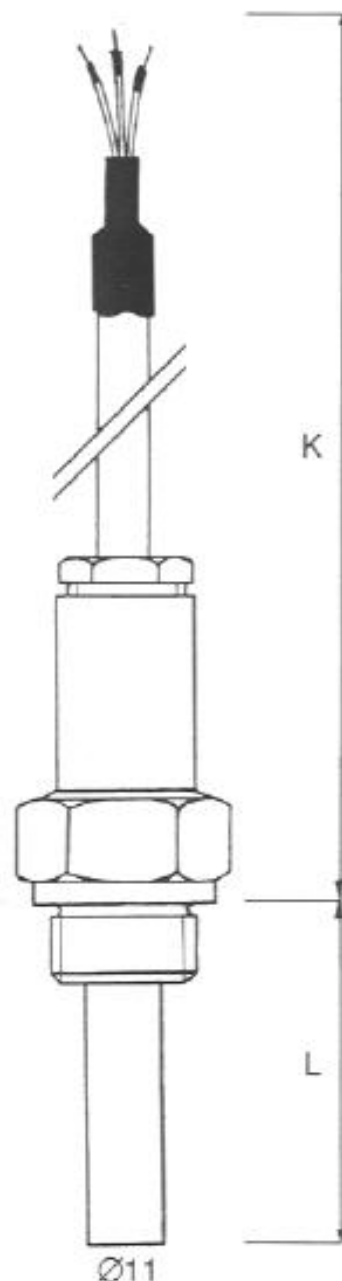
Tested 200 Volt @ 20°C

Insulation

Minimum 100 M ohm

Design

Vibration : 5 to 30 Hz - 1.6 mm 30 to 5000 Hz - 5 g



Ordering code

*This datasheet is purely indicative, build-up of model code may vary from this datasheet.

Model

DWR 6070

H6-1 Rev. 07/07