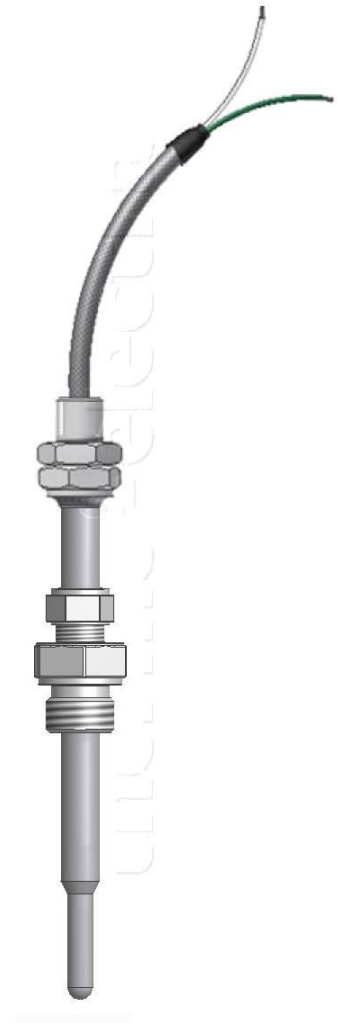


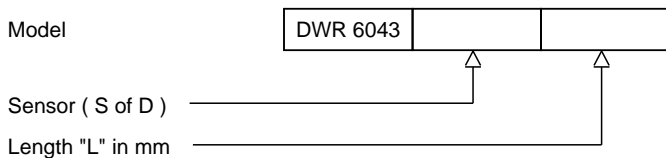
DWR6043 Vibration proof resistance thermometer

Design	Designed for use on combustion engines
Protection tube	
Construction	Closed-end tube
Material	SS 316 - (Wst 1.4401)
Insertion length "L"	Customer to specify, standard 150 mm
Diameter	12 mm, tip 9 mm
Process connection	1/2" BSP steel compression gland
Cable	
	Heat and oil resistant armoured extension cable, 250 °C
Cable length "K"	Customer to specify, standard 1000 mm
Sensor	
	Pt100
Style / Connection	3 wire system (Optional 4 wire system)
Accuracy	According IEC 751 Class B
Testing	Tested 200 Volt @ 20°C
Insulation	Minimum 100 M ohm
Design	Vibrationproof
Temperature	
	600°C maximum



Ordering code

*This datasheet is purely indicative, build-up of model code may vary from this datasheet.



H6-1 Rev.1 07/07