

# ME 7095 Tube skin thermocouple with sleeve and bracket

## Sheath

Construction	Mineral insulated ( MgO )
Material	SS 316 standard
Diameter	6.0mm standard

## Connection head

Model	CE with screw cover or DAN with swing cover
Material	Cast aluminium
Cable gland	M20 x 1.5 included

## Thermo-element

Calibration	K, T, J, E, N, U or L
Accuracy	According IEC 584
Element length	Length " L " standard 525mm

## Strap-on Sleeve

Dimensions	70 x 14 x 14 mm
Material	SS 316

## Bracket

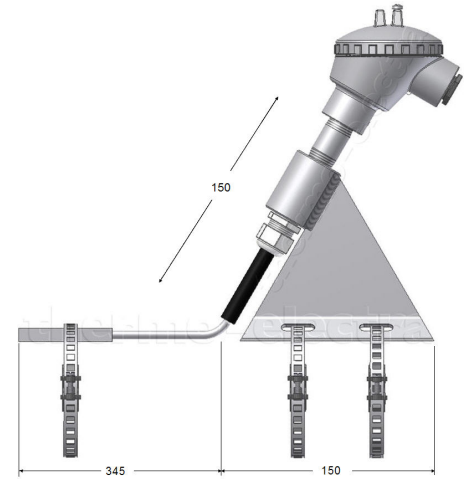
Mounting	With stainless steel clamps, included
Pipe diameter	To specify

## Head extension

Material	Stainless steel
Length metal part	70 mm

## Options

Certification	Atex explosion proof certified Exe, Exi or Exd
Transmitter 4-20mA	In-Head Transmitter, standard or ATEX Explosion proof. Please select from our standard range, see "transmitter" chapter, specify make, model and range.
Swing-Cover head	Transmitter direct mounted on measuring insert.



## Thermokoppel kleurcodes

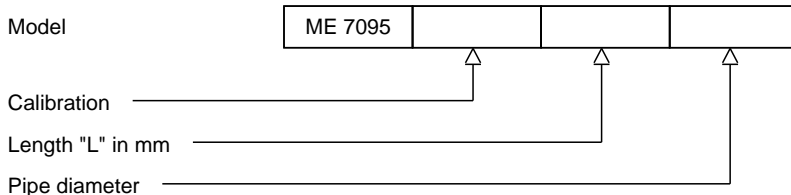
Thermocouple Extension Type	ANSI	IEC
JX + Iron - Constantan ®		
KX + Chromel ® - Alumel ®		
TX + Copper - Constantan ®		
EX + Chromel ® - Constantan ®		
NX + Nicrosil ® - Nisil ®		
SX + Copper RX - Alloy 11		
BX + Copper-S - Copper-E		

## Toleranties volgens IEC 584-2

Type	Class	Temperature range	Fixed value °C	Tolerance to temp. t (°C)
T	1	- 40°C to + 350°C	± 0,5	± 0,004 · t
	2	- 40°C to + 350°C	± 1	± 0,0075 · t
	3	- 200°C to + 40°C	± 1	± 0,015 · t
E	1	- 40°C to + 800°C	± 1,5	± 0,004 · t
	2	- 40°C to + 900°C	± 2,5	± 0,0075 · t
	3	- 200°C to + 40°C	± 2,5	± 0,015 · t
J	1	- 40°C to + 750°C	± 1,5	± 0,004 · t
	2	- 40°C to + 750°C	± 2,5	± 0,0075 · t
	3	-	-	-
K and N	1	- 40°C to + 1000°C	± 1,5	± 0,004 · t
	2	- 40°C to + 1200°C	± 2,5	± 0,0075 · t
	3	- 200°C to + 40°C	± 2,5	± 0,015 · t
R and S	1	0°C to + 1600°C	± 1,0	± [1+0,003·(t-1100)]°C
	2	0°C to + 1600°C	± 1,5	± 0,0025·t
	3	-	-	-
B	1	-	-	-
	2	+ 600°C to + 1700°C	± 1,5	± 0,0025·t
	3	+ 600°C to + 1700°C	± 4	± 0,005·t

## Ordering code

\*This datasheet is purely indicative, build-up of model code may vary from this datasheet.



H7-1 Rev. 07/07