

# LEX25 Ex ia/ib certified resistance thermometer with transmitter for zone 0, 1 and 2

## Construction

<b>ATEX execution</b>	II 1 G Ex ia IIC T6...T1 Ga II 1/2 G Ex ia/ib IIC T6...T1 Ga/Gb II 2 G Ex ib IIC T6...T1 Gb
<b>ATEX certificate</b>	DEKRA 17ATEX0123 X
<b>IECEx execution</b>	Ex ia IIC T6...T1 Ga Ex ia/ib IIC T6...T1 Ga/Gb Ex ib IIC T6...T1 Gb
<b>IECEx certificate</b>	IECEx DEK 17.0046X
<b>Suitable for zone</b>	0, 1 and 2
<b>Ingress protection</b>	IP65 / IEC529
<b>Ambient temp. range</b>	-45°C...+80°C, this can be limited depending on the materials applied such as cables, connection heads, junction boxes and transmitters.

## Connection head

<b>Model</b>	DAN-AK (showed), other connectionheads possible
<b>Material</b>	Aluminium, plastic or stainless steel
<b>Cable entry</b>	M20x1.5 standard, other threads possible

## Measuring insert

<b>Construction</b>	Springloaded and replaceable
<b>Springaction</b>	>10mm standard, >40mm optional
<b>Diameter</b>	6.0mm standard, other diameters possible
<b>Type</b>	Mineral insulated (MgO),

## Sensor

<b>Execution</b>	Single or Duplex Pt100
<b>Connection</b>	3-wire standard, 4-wire optional
<b>Accuracy</b>	According IEC 60751 Cl. B, A or AA
<b>Measuring range</b>	-20°C...+400°C standard, -220°C...+600°C optional

## Transmitter

<b>Model</b>	Select from our standard range or specify your standardized brand
<b>Head mounted</b>	Standard mounted on insert, replaces the terminal block
<b>Alternative mounting</b>	Mounted in the cover of the head
<b>Range and model</b>	To specify

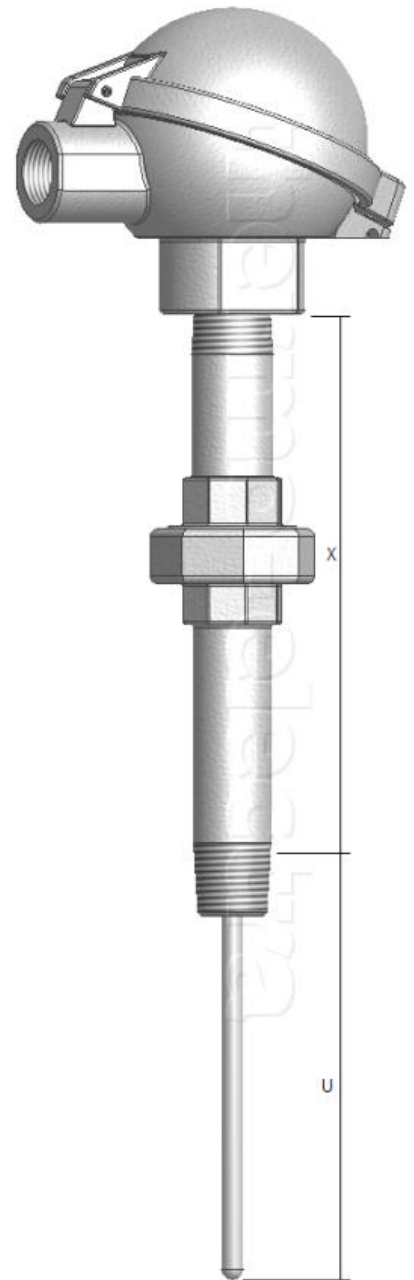
## Extension

<b>Type</b>	Nipple - union - nipple standard, other constructions possible
<b>Material</b>	Stainless steel
<b>Style / Connection</b>	1/2" NPT standard, other threads possible
<b>Length</b>	150mm standard, other lengths possible

## Ordering code

\*This datasheet is purely indicative, build-up of model code may vary from this datasheet.

Model	LEX25							
Sensor S or D								
Connection 3- or 4-wire								
Class B, A or AA								
Diameter "D" in mm								
Length "U" in mm								
Length "X" in mm								
Transmitter model								



H3-1 Rev.0 7/07