

# DWK 6041 Vibrationsfeste Widerstandsthermometer

## Design

**Applications** Designed for use on combustion engines

## Protection tube

**Construction** Closed-end tube

**Material** SS 316 - ( Wst 1.4401 ) standard, other materials possible

**Insertion length** 150mm standard, other lengths possible

**Diameter** 8.0mm standard, other diameters possible

**Process connection** 1/4"BSP (G1/4"), 1/4"NPT, 1/2"BSP (G1/2"), 1/2"NPT or other threads possible

**Temperature** 800°C maximum

## Pocket / Thermowell

Small diameter sensors can break due to high vibrations, the use of a thermowell or pocket can be imperative, check with your engine manufacturer or consult factory.

## Extension cable

Heat and oil resistant armoured extension cable up to +250°C

**Length** 1000mm standard, other lengths possible

## Sensor

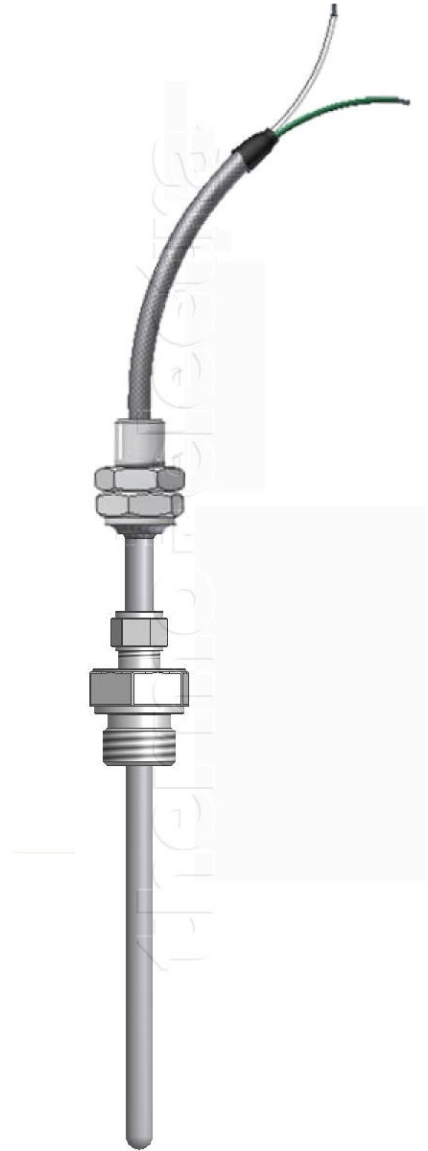
**Thermocouple** K, J or L

**Accuracy** According IEC 60584-1

**Testing** Tested 500 Volt @ 20°C

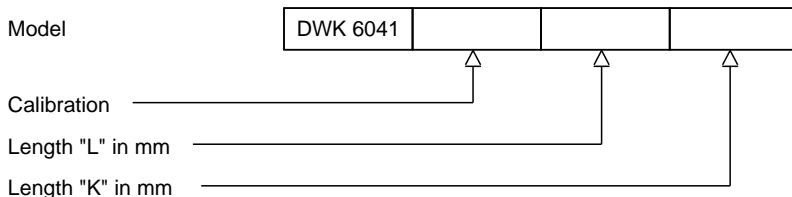
**Insulation** Minimum 100Mohm

**Design** Vibrationproof



## Ordering code

\*This datasheet is purely indicative, build-up of model code may vary from this datasheet.



H6-1 Rev. 07/07