

FT 3065 Van Stone thermowell

Thermowell

Design Machined and drilled from bar stock material
Materials SS 316 - (Wst 1.4401) standard

Stem / Shaft

Straight version Standard diameter 22mm, or to specify
Tapered version Diameter from 25 to 20mm at tip, or to specify
Stepped version 20 mm, reduced tip L=78mm x d=12 mm
Flange connection Flange connection length X (standard 60mm)
Bore 6.6 mm
Bottom thickness 5 mm

Flange

Flange size Suits ASME 1
Flange facing Flat Face Serrated to ASME B16.5

Lap joint flange

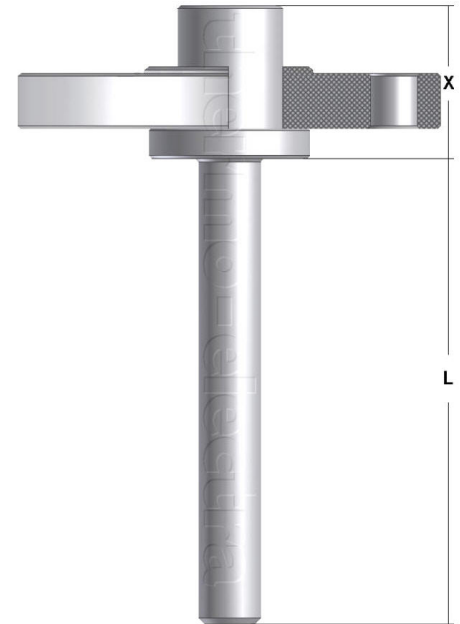
Separate available To specify
Class 150, 300/600, 900/1500 and 2500LBS

Dimensions

Insertion length To specify

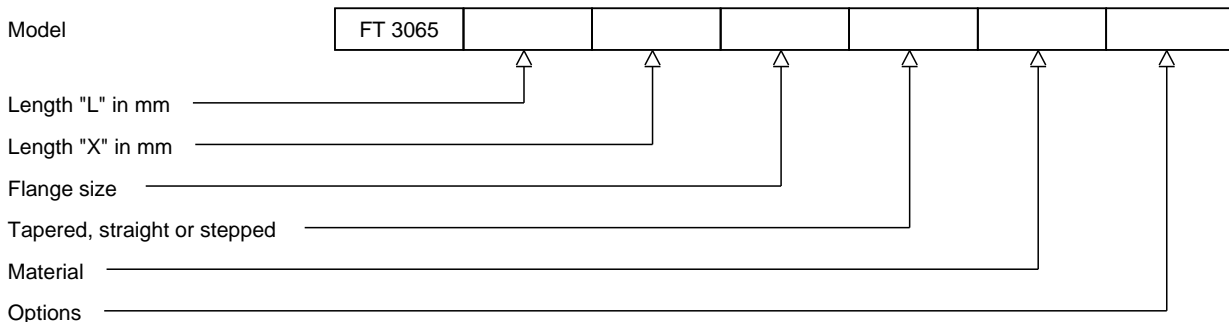
Options

Other materials and dimensions
 Protective coating, PTFE, Halar, Stellite etc.
 Tagging
 Wake frequency calculation



Ordering code

*This datasheet is purely indicative, build-up of model code may vary from this datasheet.



H3-1 Rev.0 7/07