

HT 4065 Thermal shock resistant thermocouple up to 1350°C

Protection tube

Construction	Gastight, thermal shock resistant
Insertion length	Customer to specify
Diameter	26x4.0mm
Material	SiSiC Siliciumcarbide (Halsic-I)
Temperature	1350°C maximum
Process connection	Sliding flange model MFA-C (showed), other executions possible for example a welded ANSI or DIN flange

Inner tube

Material	Gastight ceramic 710 (C799)
-----------------	-----------------------------

Connection head

Material	Aluminium or Stainless Steel
Cable entry	M20x1.5 standard, other threads possible

Extension

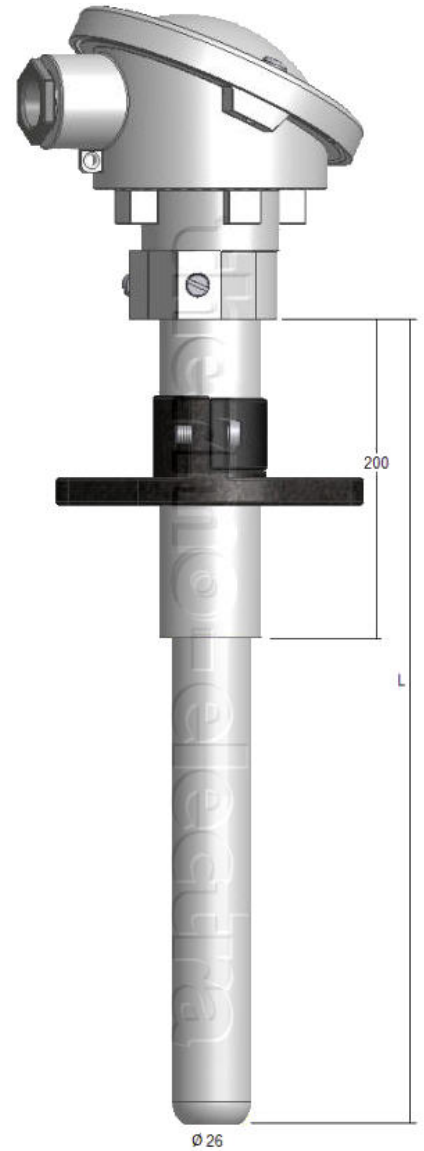
Material	Steel standard, other materials possible
Diameter	32mm standard, other diameters possible
Length	200mm standard, other lengths possible

Measuring insert

Insulation	Ceramic rod
Calibration	B, R or S
For duplex	BB, RR or SS
Wire size	0.35 or 0.5 mm Customer to specify
Accuracy	According IEC 60584-1

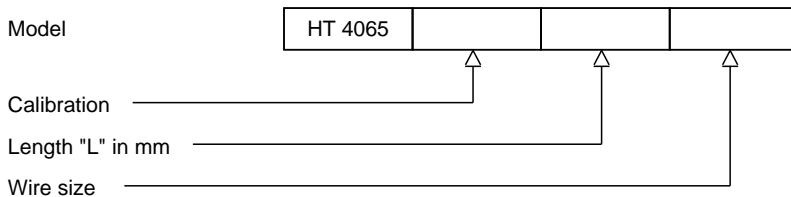
Options

Swing-Cover head	DAN, transmitter direct mounted on measuring insert
High Swing-Cover head	DAN-H, transmitter in cover, insert with ceramic block



Ordering code

*This datasheet is purely indicative, build-up of model code may vary from this datasheet.



H4-1 Rev. 07/07