

CA 1006 Industrial thermocouple flanged to ANSI or DIN 43772 2F, 3F

Protection tube

Construction	Closed-end tube
Material	SS 316 - (Wst 1.4401) standard, other materials possible
Insert diameter	9.0mm standard, other diameters possible
Insertion length	Customer to specify
Process connection	Welded flange, size to be specified
Extension length	Customer to specify

Connection head

Material	Aluminium, plastic or stainless steel
Cable entry	M20x1.5 cable gland standard, other threads possible

Measuring insert

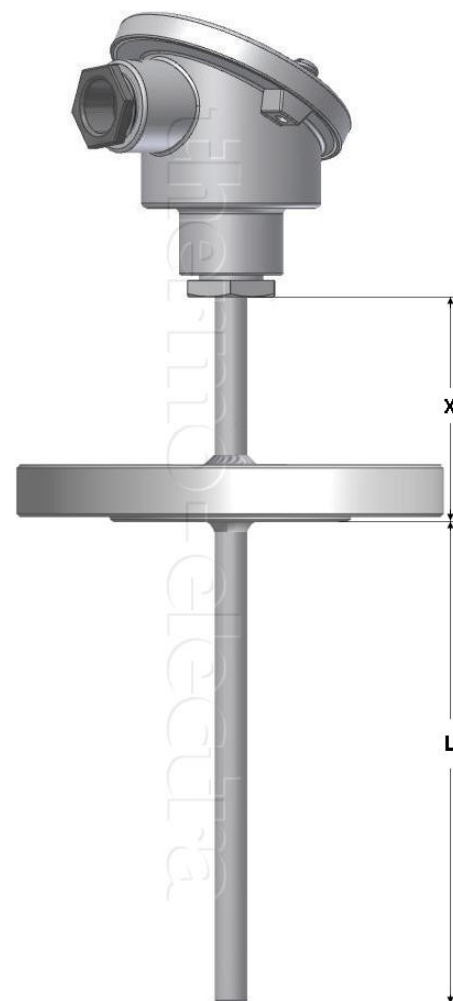
Type	MI 1025 Replaceable springloaded dia 6 mm
Length	$E = L + X + 35$ mm
Material	SS 316 - (Wst 1.4401) standard, other materials possible

Thermocouple

Calibration	K, T, J, E, N, U or L
For duplex	KK, TT, JJ, EE, NN, UU or LL
Accuracy	According IEC 60584

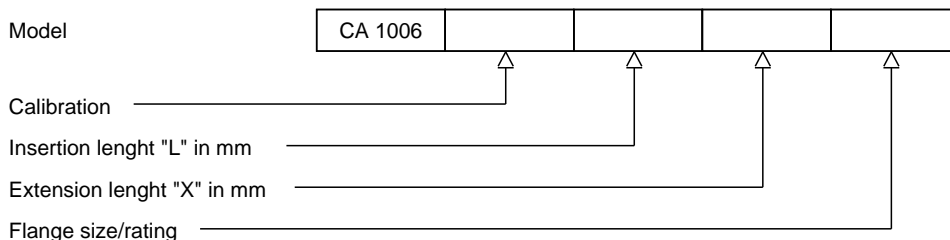
Options

Transmitter 4-20mA	In-Head transmitter, standard or Ex version. Please select from our standard range or specify your own standard
Swing-Cover head	DAN, transmitter direct mounted on measuring insert
High Swing-Cover head	DAN-H, transmitter in cover, insert with ceramic block



Ordering code

*This datasheet is purely indicative, build-up of model code may vary from this datasheet.



H1-1 Rev.0 7/07