

80516 Universal bearing probe

General

Application	Bearing temperature measurement
Sensor	Spring action tip
Handle	ABS plastic

Sensor

Thermocouple	Type K
Accuracy	According IEC584-1
Response time	2 seconds
Sensor options	To customer specification

Holder

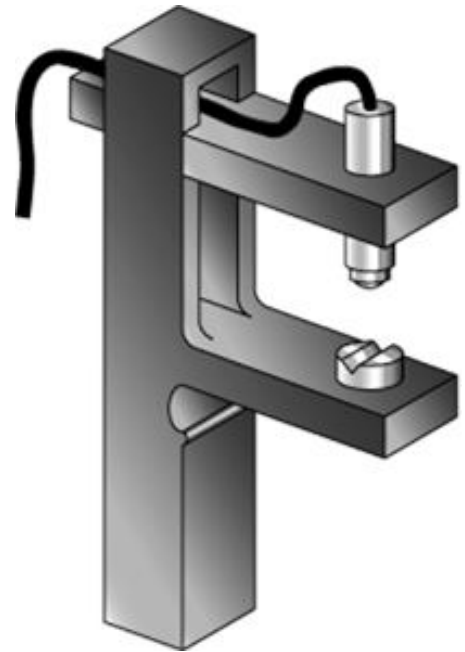
Holder material	PEEK
Handle	ABS isolated
Sensor	Interchangeable spare sensor model 80518 A
Adjustable	From 6 to 20 mm adjustable
Mounting	Springloaded up to 70 mm

Cable

Cable length	1000 mm
Type	Zwarte thermokoppel krul kabel
Connector	Miniature thermocouple connector, flat pins

Options

Cable colour	IEC / ANSI
Connector colour	IEC / ANSI
Spare sensor	80516 A



Ordering code

*This datasheet is purely indicative, build-up of model code may vary from this datasheet.

Model

80516