

LEX50 Ex ta/tb certified thermocouple for zone 1, 2 and 20, 21, 22

Construction

ATEX execution	II 1 D Ex ta IIIC T85°C...T300°C Da II 1/2 D Ex ta/tb IIIC T85°C...T300°C Da/Db II 2 D Ex tb IIIC T85°C...T300°C Db
ATEX certificate	DEKRA 17ATEX0123 X
IECEX execution	Ex ta IIIC T85°C...T300°C Da Ex ta/tb IIIC T85°C...T300°C Da/Db Ex tb IIIC T85°C...T300°C Db
IECEX certificate	IECEX DEK 17.0046X
Suitable for zone	1, 2 and 20, 21, 22
Ingress protection	IP65 / IEC529
Ambient temp. range	-40°C...+75°C, this can be limited depending on the materials applied such as cables, connection heads, junction boxes and transmitters.

Connection head

Model	DAN-AK (showed), other Ex ia/ib certified connectionheads possible
Material	Aluminium, plastic or stainless steel
Cable entry	M20x1.5 standard, other threads possible

Measuring insert

Construction	Springloaded and replaceable
Springaction	>10mm standard, >40mm optional
Diameter	6.0mm standard, other diameters possible
Type	Mineral insulated (MgO)

Thermocouple

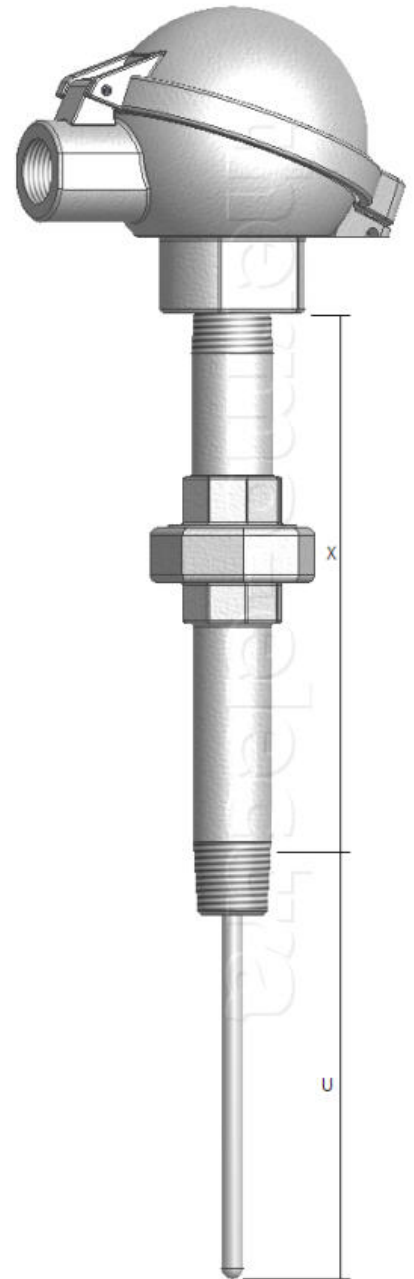
Calibration	K, T, J, E, R, S, B, U, N or L
For duplex	KK, TT, JJ, EE, RR, SS, BB, UU, NN or LL
Accuracy	According to IEC 60584-1

Extension

Type	Nipple - union - nipple standard, other constructions possible
Material	Stainless steel
Style / Connection	1/2"NPT standard, other threads possible
Length	150mm standard, other lengths possible

Datasheet notification

This datasheet is purely indicative, build-up of model code may vary from this datasheet depending on chosen model or execution!



Ordering code

*This datasheet is purely indicative, build-up of model code may vary from this datasheet.

