

# LEX55 Ex ec certified thermocouple for zone 2 and 22

## Construction

<b>ATEX execution</b>	II 3 G Ex ec IIC T6...T1 Gc
<b>ATEX certificate</b>	DEKRA 18ATEX0024 X
<b>IECEX execution</b>	Ex ec IIC T6...T1 Gc
<b>IECEX certificate</b>	IECEX DEK 17.0046X
<b>Suitable for zone</b>	2 en 22
<b>Ingress protection</b>	IP65 / IEC529
<b>Ambient temp. range</b>	-45°C...+80°C, this can be limited depending on the materials applied such as cables, connection heads, junction boxes and transmitters.

## Connection head

<b>Model</b>	DAN-AK (showed), other Ex certified connectionheads possible
<b>Material</b>	Aluminium, Stainless Steel or Plastic
<b>Cable entry</b>	M20x1.5 standard, other threads possible

## Measuring insert

<b>Construction</b>	Springloaded and replaceble
<b>Springaction</b>	>10mm standard, >40mm optional
<b>Diameter</b>	6.0mm standard, other diameters possible
<b>Type</b>	Mineral insulated (MgO)

## Thermocouple

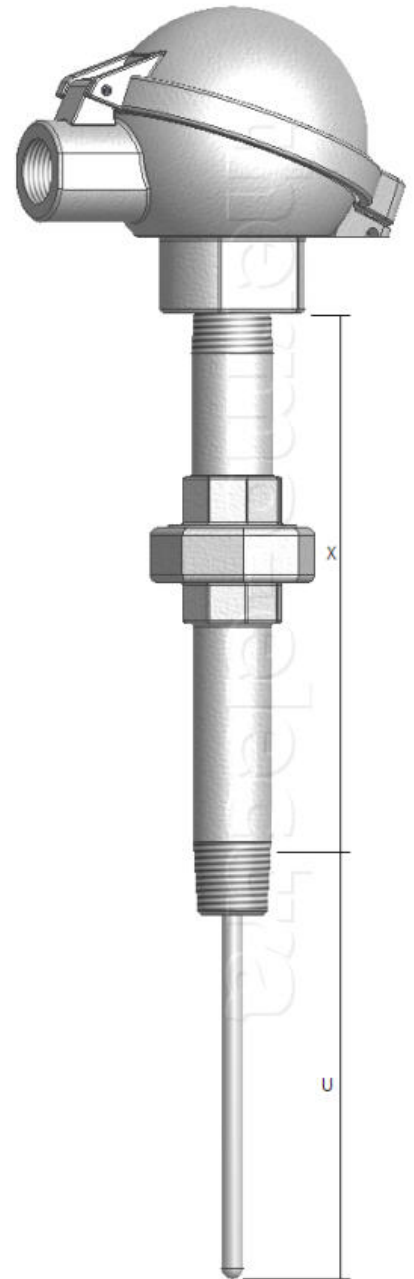
<b>Calibration</b>	K, T, J, E, R, S, B, U, N or L
<b>For duplex</b>	KK, TT, JJ, EE, RR, SS, BB, UU, NN or LL
<b>Accuracy</b>	According to IEC 60584-1

## Extension

<b>Type</b>	Nipple - union - nipple standard, other constructions possible
<b>Material</b>	Stainless Steel
<b>Style / Connection</b>	1/2" NPT standard, other threads possible
<b>Length</b>	150mm standard, other lengths possible

## Datasheet notification

The LEX55 is the replacement for the LEX45 Ex nA



## Ordering code

\*This datasheet is purely indicative, build-up of model code may vary from this datasheet.

